

19.5 3D SPEAKER PLACEMENT RECOMMENDATIONS

For detailed information about speaker placement recommendations, please refer to the following documents:

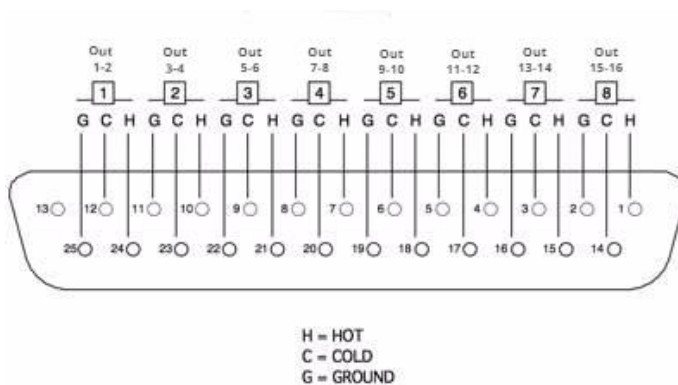
- Auro-3D Home Theatre Setup Installation Guidelines, available from Auro Technologies.
http://www.auro-3d.com/wp-content/uploads/documents/Auro-3D-Home-Theater-Setup-Guidelines_lores.pdf
- Dolby Atmos Home Theatre Installation Guidelines, available from Dolby:
<http://www.dolby.com/us/en/technologies/dolby-atmos/dolby-atmos-home-theater-installation-guidelines.pdf>



NOTE: As of January 2016, the DTS X Home Theatre Installation Guidelines are not yet available.

19.6 DB25 CONNECTOR PINOUT

The Altitude³² uses DB25 connectors for Analog and AES/EBU connections, input as well as output. We use the widely spread **Tascam** DB25 scheme described below.



NOTE: Another quite popular pinout is the one from Yamaha. You should check which pinout your equipment is using before connecting it to the Altitude³². Unbalanced connections must connect signal to SubD-Hot and shield to SubD-Cold.

Figure 108: Tascam pinout for the AES DB25 output connector